

# D54G01P82

---

Power Distribution Unit, multimode for single and dual band tower mounted amplifiers (TMAs)



## Product Classification

**Product Type** Power distribution unit

## General Specifications

**Application** Indoor

**Color** Light gray

**LED Indicators, green** Normal | Power supply

**LED Indicators, red** Alarm | dc/dc Converter

**Modules per Unit, quantity** 1

**Output Control** 6-position DIP switch

**Output Interface** 9-pin D-sub Female

**Output Ports per Module, quantity** 6

## Dimensions

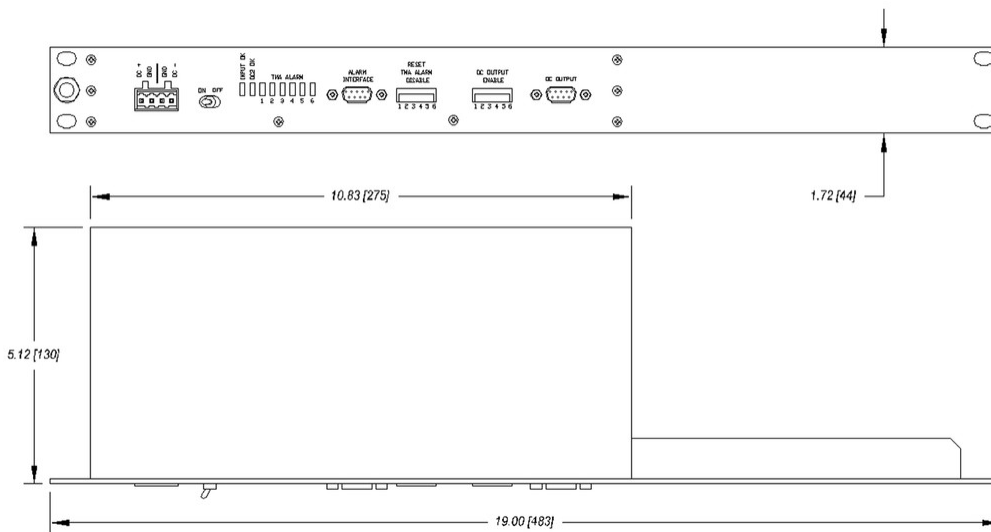
**Height** 44 mm | 1.732 in

**Width** 483 mm | 19.016 in

**Depth** 130 mm | 5.118 in

# D54G01P82

## Outline Drawing



## Electrical Specifications

<b>Input Lightning Surge Current</b>	1 kA
<b>Input Lightning Surge Current Waveform</b>	8/20 waveform
<b>Input Overcurrent Protection</b>	Internal slow blow fuse
<b>Input Voltage, operational</b>	20–60 Vdc
<b>Output Current per Port, maximum</b>	400 mA
<b>Output Current, maximum</b>	2.2 A
<b>Output Lightning Surge Current</b>	2 kA
<b>Output Lightning Surge Current Waveform</b>	8/20 waveform
<b>Output Overcurrent Protection</b>	Hiccup mode current limiting
<b>Output Voltage Ripple, maximum</b>	100 mVpp
<b>Output Voltage, typical</b>	12 V
<b>Alarm Control</b>	6-position DIP switch
<b>Alarm Current Range, high setting</b>	175–312 mA
<b>Alarm Current Range, low setting</b>	20–163 mA
<b>Alarm Interface</b>	9-pin D-sub Female
<b>Alarm Relays</b>	Normally closed   Normally open
<b>Electrical Safety Standard</b>	CE   EN 60950
<b>Power Consumption, maximum</b>	40 W

# D54G01P82

---

**Power Supply Control**

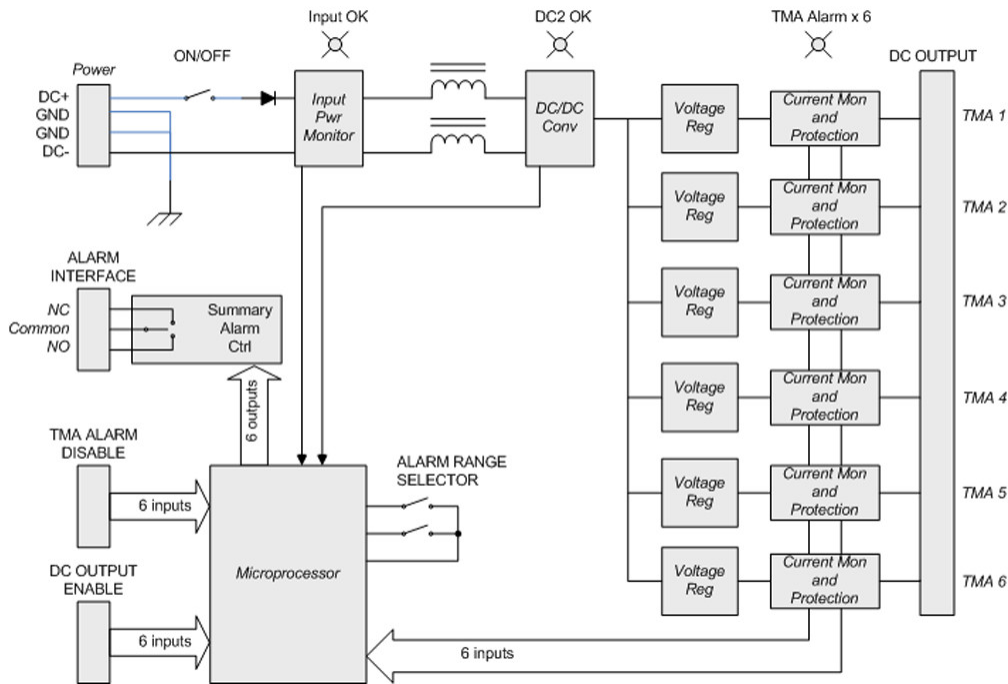
Toggle switch

**Power Supply Interface**

4-pin single row header Male

# D54G01P82

## Block Diagram



## Environmental Specifications

**Operating Temperature** -10 °C to +60 °C (+14 °F to +140 °F)

**Ingress Protection Test Method** IEC 60529:2001, IP20

## Packaging and Weights

**Weight, net** 1.1 kg | 2.425 lb